

Dipl.-Ing. Herwarth Reich GmbH

**D2C**  
Designed to Customer

## RCT

Torsionally stiff  
flange couplings  
for pump drives



Your drive is our strength. Your strength is our drive.



## General technical description

With the newly developed RCT couplings, REICH-KUPPLUNGEN offers an optimal drive solution for the connection of diesel engines to hydraulic pumps. The torsionally stiff design of the RCT coupling allows for shifting critical resonances to the range above the operating speed range and thus enables a subcritical operation of the drive without passing through detrimental torsional vibration amplitudes. The new RCT coupling, like the decade-long proven REICH ARCUSAFLEX coupling, is designed as an axially pluggable flange coupling. Its external teeth, however, have a robust metallic inner body with a thin-walled rubber coating so that torque shocks are dampened effectively. In addition, small axial, radial and angular offsets which are common to flanged hydraulic drives can be compensated for. Numerous standardized tooth profiles ensure a backlash-free clamping connection between the RCT coupling and the pump shaft. The coupling flanges are matched to SAE flywheel dimensions. As a supplementary service, REICH-KUPPLUNGEN also offers a multitude of bellhousing flanges through which the vast majority of internal combustion engines and hydraulic pumps can be connected. REICH-KUPPLUNGEN will be pleased to develop an optimal solution in line with the principle 'D2C - Designed to Customer' for special types as well.

### Essential features and advantages of the RCT coupling:

- Subcritical operation through high torsional stiffness
- Vibration and torque shock damping through flexible rubber coating
- High torque transmission capacity, fail-safe
- Suited for ambient temperatures from -25°C to +100°C
- Compact, robust, maintenance-free
- Easy assembly thanks to the plug-in type design
- Backlash-free shaft-hub connection
- Compensation of axial, radial and angular offsets
- Multiple spline options for the connection to the pump shaft
- Bellhousing flanges for almost any mounting situation



## D2C – Designed to Customer

**D2C** The principle of Designed to Customer describes the recipe for success of REICH-KUPPLUNGEN: Utilizing our product knowledge, our customers are supplied with couplings which are developed and tailor-made to their specific requirements. The designs are mainly based on modular components to provide effective and efficient customer solutions. The unique form of close cooperation with our partners includes consultation, design, calculation, manufacture and integration into existing environments. Adapting our manufacturing to customer-specific production and utilizing global logistics concepts provides better after sales service - worldwide. This customer-oriented concept applies to both standard products and production in small batch sizes.

The company policy of REICH-KUPPLUNGEN embraces, first and foremost, principles such as customer satisfaction, flexibility, quality, prompt delivery and adaptability to the requirements of our customers.

REICH-KUPPLUNGEN supplies not only a coupling, but a solution: Designed to Customer.

*Edition March 2016*

*The present RCT catalogue renders parts of the previous RCT catalogues obsolete. All dimensions in millimeters. We reserve the right to change dimensions and/or design details without prior notice.*

*Proprietary notice pursuant to ISO 16016 to be observed:*

*The reproduction, distribution and utilization of this document as well as the communication of its contents to others without explicit authorization is prohibited. Offenders will be held liable for the payment of damages. All rights reserved in the event of the grant of a patent, utility model or design.* © REICH-KUPPLUNGEN

# Technical Details

RCT-Coupling size	Nominal torque	Maximum torque	Permissible continuous vibratory torque	Dynamic torsional stiffness <sup>2)</sup>		Relative damping coefficient <sup>2)</sup>	Flange size SAE J620	Max. speed	Max. shaft offset	
	$T_{KN}^{(1)}$ [Nm]	$T_{Kmax}$ [Nm]	$T_{KW}$ (10 Hz) [Nm]	$C_{Tdyn}$ [kNm/rad]	$0.5 T_{KN}$   $1.0 T_{KN}$				$\psi$	$n_{max}$ [rpm]
30	300	900	150	40	50	3.8	6.5 7.5 8	4200 4200 4200	$\pm 0.5$	$\pm 0.5$
65	650	1950	325	115	140	3.8	8 10 11.5	4200 3600 3500	$\pm 0.5$	$\pm 0.5$
120	1200	3600	600	350	440	3.8	10 11.5	3600 3500	$\pm 0.5$	$\pm 0.5$
230	2300	6900	1150	720	890	3.8	10 11.5 14	3600 3500 3000	$\pm 0.5$	$\pm 0.5$
500	5000	15000	2500	2350	2900	3,8	14	3000	$\pm 0,5$	$\pm 0,5$

- 1) A general safety factor of 1.3 to 1.5 should be applied to RCT couplings for the approximate layout of the design based on the drive torque
- 2) Preliminary values

RCT Coupling size	Fig.	Flange connection						D max. [mm]	$D_A$ [mm]	$D_4$ [mm]	$L_1$ [mm]	$L_2$ [mm]	$L_3$ [mm]	$L_4$ [mm]	$L_F$ [mm]	$L_G$ [mm]	$J_1$ outside [kgm <sup>2</sup> ]	$J_2$ inside [kgm <sup>2</sup> ]	Total mass [kg]
		SAE J620	$D_1$ [mm]	$D_2$ [mm]	$D_3$ [mm]	$Z_1$													
30	1	6.5	215.9	200.0	8.5	6	40.0	141.0	61.0	42.0	10.0	28.0	-	49.0 $\pm 2.0$	30.2 30.2 62.0	0.0062 0.0095 0.0135	0.0018	2.2 2.5 2.7	
		7.5	241.3	222.3	8.5	8													
		8	263.5	244.5	10.5	6													
65	1	8	263.5	244.5	10.5	6	46.0	171.0	75.0	50.0	10.0	32.0	-	56.0 $\pm 2.0$	62.0 53.8 39.6	0.0138 0.0275 0.0431	0.0062	4.1 4.8 5.3	
		10	314.3	295.3	10.5	8													
		11.5	352.4	333.4	10.5	8													
120	1	10	314.3	295.3	10.5	8	51.0	216.0	85.0	54.0	10.0	34.0	-	61.0 $\pm 2.0$	53.8 39.6	0.0275 0.0431	0.0199	6.7 7.3	
		11.5	352.4	333.4	10.5	8													
230	2	10	314.3	295.3	10.5	8	51.0	250.0	110.0	47.0	16.5	37.0	10.0	45.5 $\pm 1.5$	53.8 39.6 25.4	0.0235 0.0392 0.1230	0.0396	8.0 8.6 10.6	
		11.5	352.4	333.4	10.5	8													
		14	466.7	438.2	13.0	8													
500	2	14	466.7	438.2	13.0	8	51.0	357.0	110.0	47.0	16.5	40.0	10.0	47.0 $\pm 3.0$	25.4	0.1030	0.1664	15.1	

Coupling sizes 30, 65, 120 with clamping hub (fig. 1), coupling sizes 230, 500 with taper bush (fig. 2)

## Standard hub splines

RCT Coupling size	ANSI B92.1					
	9T 16/32	13T 16/32	15T 16/32	14T 12/24	17T 12/24	13T 8/16
30	X	X	X	X	X	
65		X	X	X	X	X
120			X	X	X	X
230				X	X	X
500						

RCT Coupling size	DIN 5480				
	25x1.25x18	30x2x14	35x2x16	40x2x18	45x2x21   50x2x24
30	X	X	X	X	
65		X	X	X	X
120			X	X	X
230				X	X
500					X

Alternative tooth profiles on request

## Ordering example:

Coupling designation **RCT 230.F2.14.17T1224**

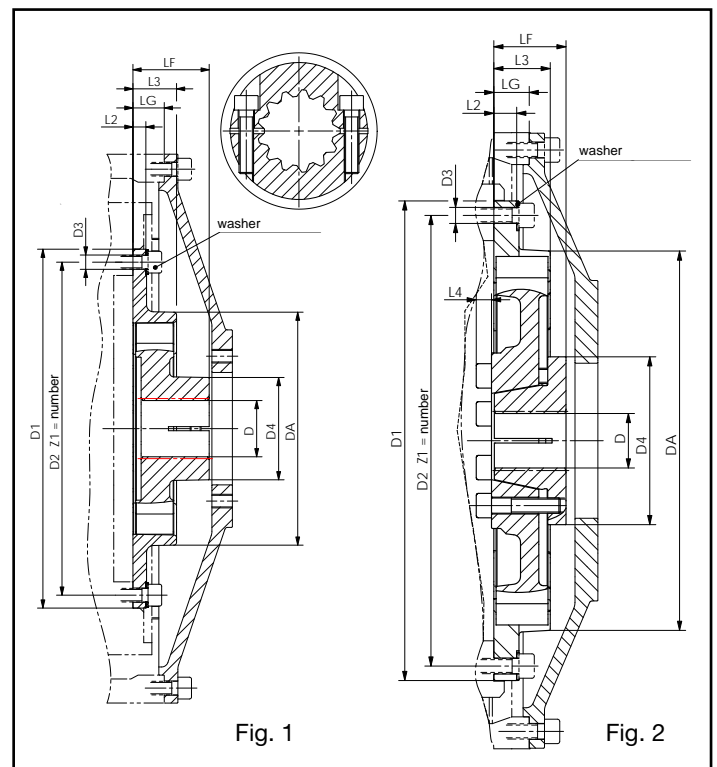
RCT Coupling size ————|

Flange connection SAE J620 ————|

Hub spline ————|

Note:

For the dimensions of the matching bellhousing flanges, see the separate product information.



---

Dipl.-Ing. Herwarth Reich GmbH  
Vierhausstraße 53 • 44807 Bochum  
Telefon +49 (0) 234 9 59 16 - 0  
Telefax +49 (0) 234 9 59 16 - 16  
E-Mail: [mail@reich-kupplungen.com](mailto:mail@reich-kupplungen.com)  
[www.reich-kupplungen.com](http://www.reich-kupplungen.com)

